
Mounting and Disassembly Instructions

for Disc Connection using flange

Type AFS

Assembly

The disc connector is supplied preassembled and ready for installation.

The connector flange is first bolted to the pulley end plate resp. other driven component.

Both the shaft as well as the connector flange bore must be cleaned and grease free before engagement.

The locking bolts must be tightened one after other in clockwise direction (not in a "crosswise" fashion) once the unit has been located on the shaft.

Assembly must be made using a torque wrench so that the transmissible torque stated in the catalogue can be achieved.

Disassembly

Loosen the locking bolts one after the other.

Remove all contaminants (rust etc.) from the shaft before removing the disc connector.

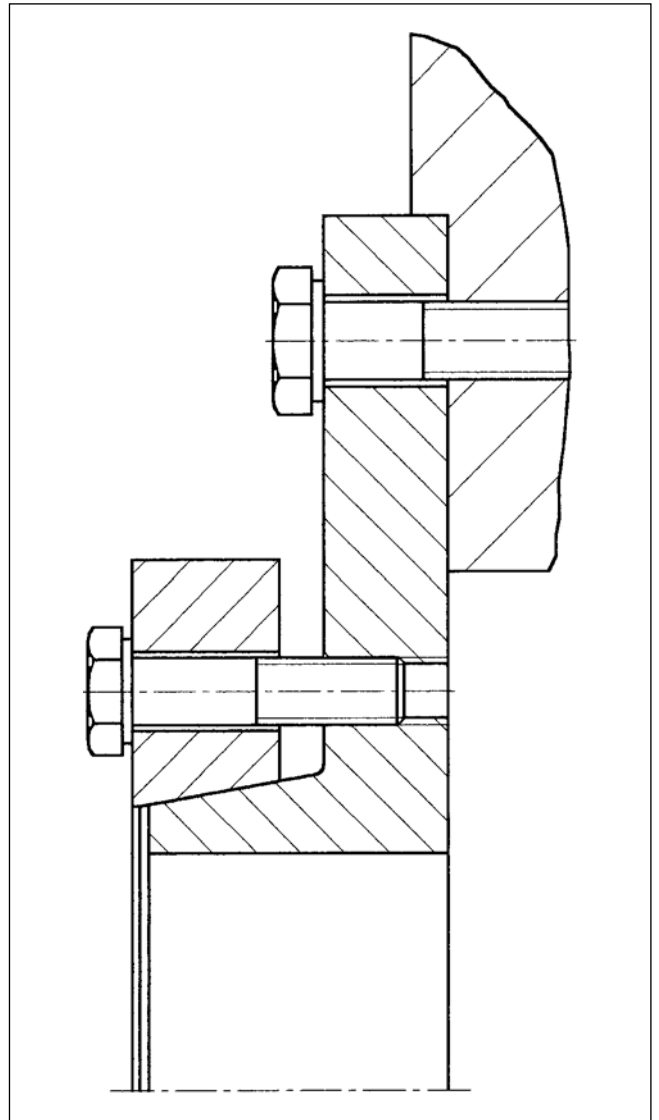
Cleaning and lubrication

The disc connector should be dismantled and cleaned after disassembly.

The tapered surfaces are coated with a solid grease compound (eg. Molykote G Rapid) by the manufacturer.

Recoat with Molykote G Rapid if tapered surfaces are undamaged.

Grease the threads and head bearing surfaces of the bolts with Molykote.



The flange is supplied with a tolerance of $D - 0.1$ mm and can therefore be used to spigot pulley end plates or other driven components.