

Mounting instructions for Shaft Couplings

Notes

Shaft couplings are supplied assembled and ready to mount. Only the larger units, where the weights involved make handling difficult, should be disassembled to facilitate mounting.

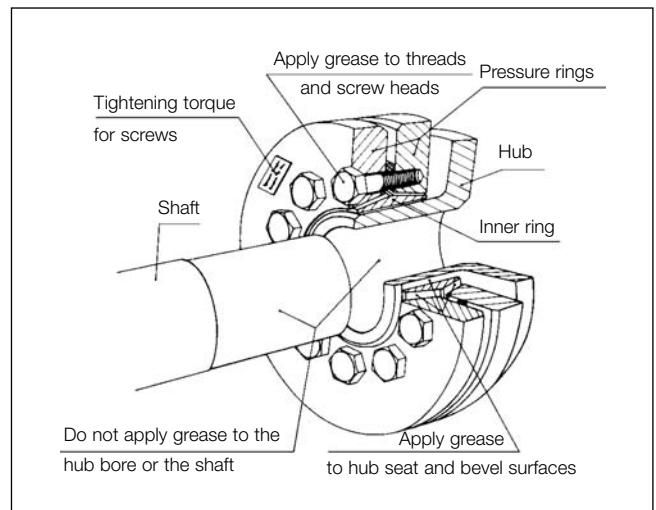
Mounting instructions

1. Push the hub onto the shaft, both contact surfaces being ungreased.
The types WLA and WK can be mounted first on one shaft end. The same can be done with the flange couplings.
Type W:
Keep the distance between the shaft ends close (max. 5 % of shaft diameter).
The real mounting refers to the shrink disc.

2. Remove any spacers which may have been arranged between the pressure rings as protection during transport.
3. Make sure the shrink ring is aligned, i. e. the pressure rings are in parallel planes, by tightening the screws with a short wrench.
4. Tighten the ring by tensioning the screws evenly one after the other in clockwise direction (not in a "crosswise" fashion). It will be necessary to go round several times before all the screws are torqued down to the recommended value. (For torque values and required wrench lengths see below). Check with a torque wrench.

The tightening torque is either punched into the material with smaller units, or is indicated on a plate.

Screws (Grade 10.9)	Wrench length- length / cm	Tightening torque
M 10	24	59 Nm
M 12	34	100 Nm
M 16	73	250 Nm
M 20	125	490 Nm
M 24	200	840 Nm



Disassembly

1. Loosen the screws evenly one after the other, again going round several times to avoid canting of the plates on the inner ring.

Under no circumstances whatsoever should the screws be totally disengaged, since this could lead to a ring jumping off (Think Safety).
2. Before the shaft is dismantled or the hub pulled off, any rust on the hub or shaft should be removed.
3. Remove the shrink ring from the hub.

Cleaning and regreasing

Shrink rings which have been in service should be totally dismantled and cleaned. The bevel surfaces are factory lubricated with a solid lubricant (e. g. Molycote G Rapid).

Undamaged bevel surfaces should be regreased only with Molycote G Rapid, which should likewise be applied to threads and screw-head bearing surfaces.