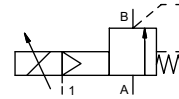


pressure reduction valve

type **SPI-1 32**
SPI-2 32



control valve proportional
pressure range PN 0-100 bar
orifice DN 32 mm
connection thread
function stepless
pressure regulation
inline-version



Above stated body materials refer to the valve port connections that get in contact with the media only!

design externally controlled with spring return
body materials ① brass ④
② ⑤
③ ⑥
valve seat metal on metal
seal materials PU, HNBR **FPM**

details needed for main valve

- orifice
- port
- pressure regulating range
- flow rate
- media
- media temperature
- ambient temperature

details needed for proportional valve

- nominal voltage
- actuation pressure range min/max

	general specifications	options
ports	SPI-1 G 1 1/2 SPI-2 G 1 1/2	
function	stepless regulation	
pressure regulation range	bar SPI-1 5-40	SPI-2 5-100
Kv value	m³/h max. 24,3	
media	gaseous - liquid - highly viscous - contaminated	
abrasive media	A ⇌ B as marked	
flow direction	ms SPI-1 < 200	SPI-2 < 400
operating time	°C 0 to +60	
media temperature	°C 0 to +50	
ambient temperature		mounting bracket
approvals	kg SPI-1 15,2	SPI-2 16,3
mounting		
weight		
additional equipment		

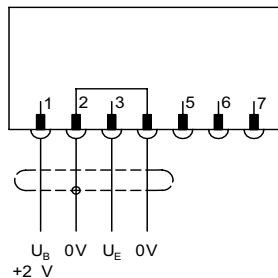
	electrical specifications	options
nominal voltage	U _B DC 24 V (max. residual ripple 10%)	
power consumption	DC < 0,7 A	
control signals	U _E 0-10 V (R _E 10KΩ)	
protection	IP65 acc. DIN 40 050	
energized duty rating	ED 100% (observe the connection conditions accordingly)	
connection	plug with 7 contacts / wire diameter 6-8 mm	

	pneumatic specifications	options
actuation pressure range	bar see actuation pressure-diagram	
air consumption	DIN ISO 8573-1 grade of compressed air quality 5/4/3	
control	by 3/2-way proportional valve	
actuator ports	1 G 1/8	

The valves' technical design is based on media and application requirements. This can lead to deviations from the general specifications shown on the data sheet with regards to the design, sealing materials and characteristics.

If order or application specifications are incomplete or imprecise there exists a risk of an incorrect technical design of the valve for the required application. As a consequence, the physical and / or chemical properties of the materials or seals used, may not be suitable for the intended application.

connection plan



connection conditions

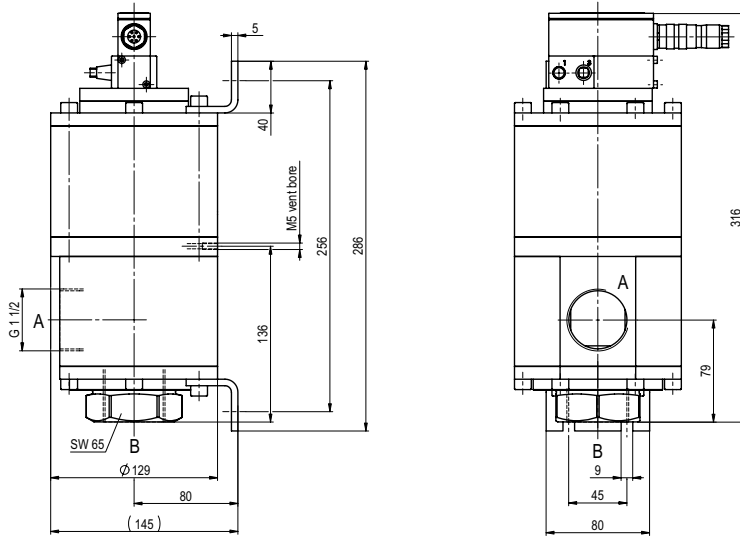
When supplying the electrical set point signal to the proportional valve, the actuating air must already be present. (see actuation pressure-diagram)

position of installation

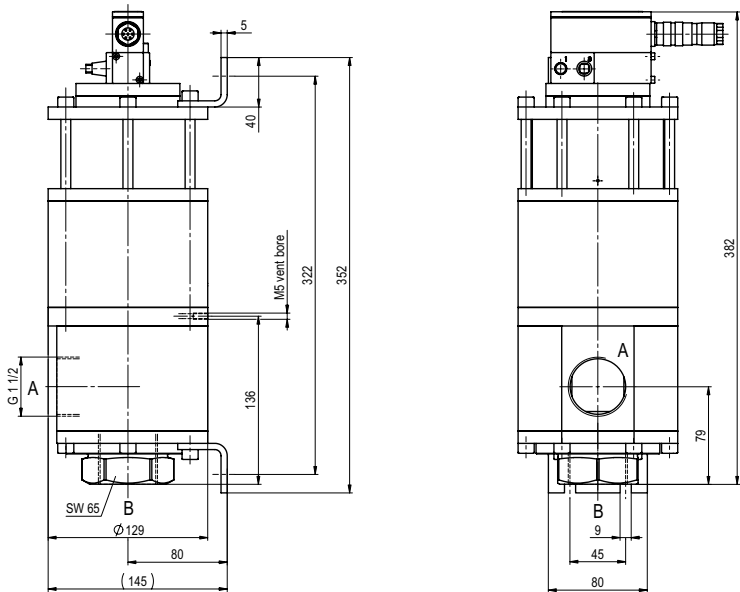
arbitrarily, but regulator not downwards

■ specifications not highlighted are standard
■ specifications highlighted in grey are optional

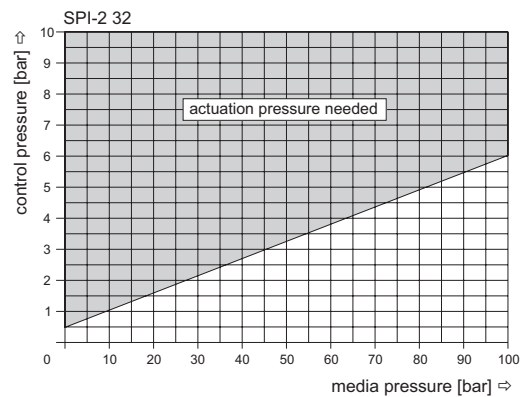
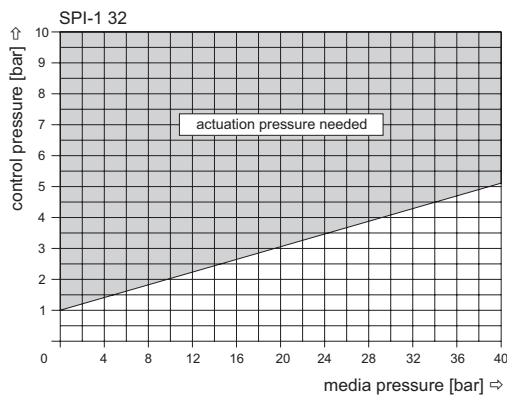
type SPI-1 32



type SPI-2 32



actuation pressure-diagram



The application-specific layout relating to temperature, pressure conditions, switching behavior, media and its consistency may restrict the range of use or necessitate relevant modifications to materials used and seal arrangements.

Rights reserved to make technical alterations • Not responsible for printing errors • Detailed drawings can be obtained upon request