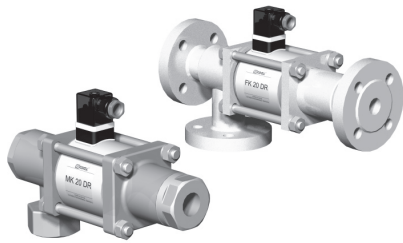


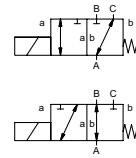
# coaxial valve

## type MK 20 DR FK 20 DR



**3/2 way valve**  
**pressure range** PN 0-40 bar  
**orifice** DN 20 mm  
**connection** thread/flange  
**function** valve normally closed (A ► B)  
 symbol **NC**

valve normally open (A ► B)  
 symbol **NO**



**△** Above stated body materials refer to the valve port connections that get in contact with the media only!

**design** pressure balanced, with spring return, intersecting switch-over  
**body materials** ① brass ② steel, galvanized  
 ③ brass, nickel plated ⑤ without non-ferr. metals  
 ④ steel, nickel plated ⑥ stainless steel

**valve seat** synthetic resin on metal  
**seal materials** NBR PTFE, FPM, CR, EPDM

**details needed**

- orifice
- port
- function NC/NO
- operating pressure
- inlet pressure at A, B or C
- flow rate
- media
- media temperature
- ambient temperature
- nominal voltage

general specifications		options
<b>ports</b>	MK threads G 3/4 - G 1 1/4 FK flanges PN 16/40	special threads special flanges
<b>function</b>	NC	NO
<b>pressure range</b>	bar 0-16/0-40 A ⇒ B max.40 / B ⇒ A max.16 / A ⇒ C max.40 / C ⇒ A max.40	
<b>Kv value</b>	m <sup>3</sup> /h 6,7	
<b>vacuum</b>	leak rate	< 10 <sup>-6</sup> mbar·l·s <sup>-1</sup>
<b>pressure-vacuum</b>	P <sub>1</sub> ⇔ P <sub>2</sub>	upon request
<b>back pressure</b>	P <sub>2</sub> > P <sub>1</sub> see pressure range	
<b>media</b>	gaseous - liquid - highly viscous - gelatinous - contaminated	upon request
<b>abrasive media</b>		upon request
<b>damping</b>	opening closing	
<b>flow direction</b>	see pressure range	
<b>switching cycles</b>	1/min 150	
<b>switching time</b>	ms opening 110 closing 110	
<b>media temperature</b>	°C DC: -40 to +80 AC: -40 to +80	-40 to +160 -40 to +160
<b>ambient temperature</b>	°C DC: -40 to +80 AC: -40 to +80	
<b>limit switches</b>		inductive/mech. (depend. on temperature)
<b>manual override</b>		available
<b>approvals</b>		LR/GL/WAZ
<b>mounting</b>		mounting brackets
<b>weight</b>	kg MK 6,0 FK 8,4	
<b>additional equipment</b>		upon request

**⚠** The valves' technical design is based on media and application requirements. This can lead to deviations from the general specifications shown on the data sheet with regards to the design, sealing materials and characteristics.

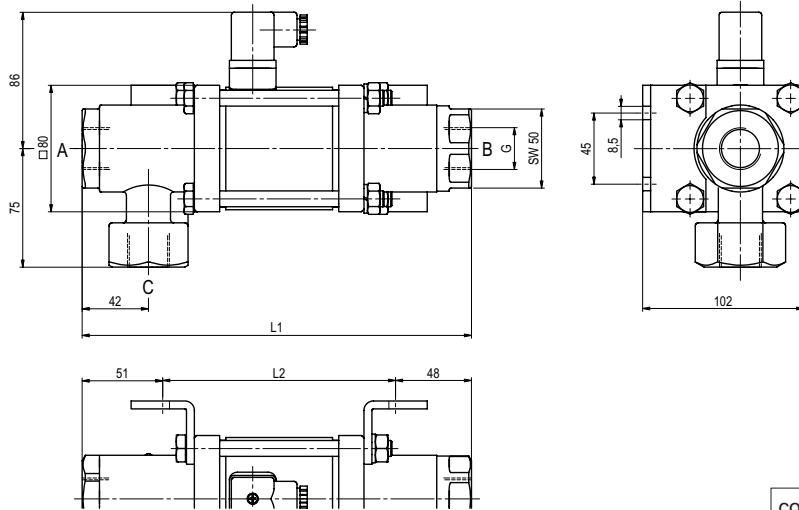
**⚠** If order or application specifications are incomplete or imprecise there exists a risk of an incorrect technical design of the valve for the required application. As a consequence, the physical and / or chemical properties of the materials or seals used, may not be suitable for the intended application.

electrical specifications		options
<b>nominal voltage</b>	U <sub>n</sub> 24 V DC 230 V 40-60 Hz AC	special voltage upon request special voltage upon request
<b>actuation</b>	DC direct-current magnet AC direct-current magnet with integrated rectifier	above 100°C with separate rectifier
<b>insulation rating</b>	H 180°C	
<b>protection</b>	IP65	
<b>energized duty rating</b>	ED 100%	
<b>connection</b>	plug acc. DIN EN 175301-803 form A, 4 positions x 90° / wire diameter 6-8 mm	terminal box M16x1,5
<b>optional</b>	M12x1 connector acc. DESINA	connector acc. VDMA
<b>additional equipment</b>	illuminated plug with varistor	
<b>current consumption</b>	N-coil 24 V DC 1,56 A 230 V 40-60 Hz AC 0,16 A	
<b>H-coil</b>		24 V DC 2,24 A 230 V 40-60 Hz AC 0,28 A
<b>explosion proof</b>		
<b>limit switches</b>	inductive (I) inductive (B) mechanical	normally open-PNP normally open-PNP single pole double throw-SPDT

■ specifications not highlighted are standard  
 ■ specifications highlighted in grey are optional

# type MK 20 DR

function: **NC**  
closed when not energized (A ▶ B)



constructive length	L1	L2	L3
standard	247	148	301
with 1/2 inductive limit switches	291	192	345
with manual emergency (Hd)/ Hd and 1/2 ind. limit switches	291	192	345
with mechanical limit switches	291	192	345

flanges PN	DIN	øD	øk	ød
16	2633	105	75	14
40	2635	105	75	14

# type FK 20 DR

function: **NO**  
open when not energized (A ▶ B)

