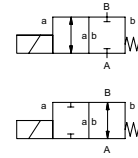


coaxial valve

type MK 10 Ex



2/2 way valve direct acting
pressure range PN 0-16 bar
orifice DN 10 mm
connection thread
function valve normally closed symbol **NC**
 valve normally open symbol **NO**



△ Above stated body materials refer to the valve port connections that get in contact with the media only!

design pressure balanced, with spring return
body materials ① brass ②
 ③ brass, nickel plated ⑤
 ④ ⑥ stainless steel
valve seat synthetic resin on metal
seal materials NBR PTFE, FPM, CR, EPDM

details needed

- orifice
- port
- function NC/NO
- operating pressure
- flow rate
- media
- media temperature
- ambient temperature
- nominal voltage

	general specifications	options
ports	MK threads G 1/4 - G 3/4	special threads
function	NC	NO
pressure range	bar 0-16	> 16 bar upon request
Kv value	m ³ /h 2,5	
vacuum	leak rate < 10 ⁻⁶ mbar·l·s ⁻¹	
pressure-vacuum	P ₁ ↔ P ₂ upon request	
back pressure	P ₂ > P ₁ upon request	
media	gaseous - liquid - contaminated	
abrasive media		
damping	opening	
	closing	
flow direction	A ↔ B as marked	upon request
switching cycles	1/min 200	
switching time	ms opening 80 closing 140	
media temperature	°C DC: -30 to +40	
	AC: -30 to +40	
ambient temperature	°C DC: -30 to +40	
	AC: -30 to +40	
limit switches		inductive
manual override		
approvals		LR/GL/WAZ
mounting		mounting brackets
weight	kg MK 1,5	
additional equipment		upon request

⚠ The valves' technical design is based on media and application requirements. This can lead to deviations from the general specifications shown on the data sheet with regards to the design, sealing materials and characteristics.

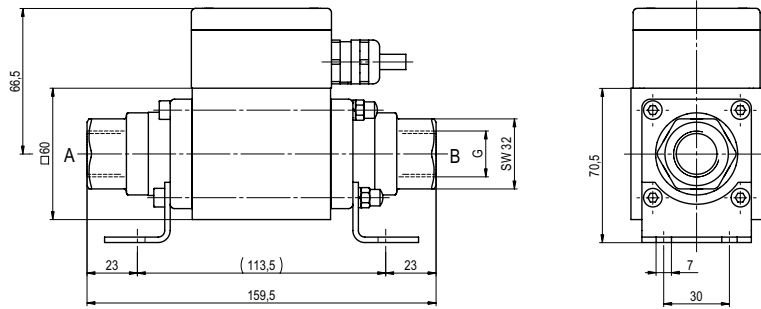
⚠ If order or application specifications are incomplete or imprecise there exists a risk of an incorrect technical design of the valve for the required application. As a consequence, the physical and / or chemical properties of the materials or seals used, may not be suitable for the intended application.

	electrical specifications	options
nominal voltage	U _n 24 V DC	special voltage
	U _n 230 V 40-60 Hz AC	special voltage
actuation	DC direct-current magnet	
	AC direct-current magnet with integrated rectifier	
insulation rating	H 180°C	
protection	IP65	
energized duty rating	ED 100%	
connection	terminal box 3 m flying leads	
optional additional equipment		
current consumption	U _n V-AC/DC 24 230 20 48 98 110 125 200	
	I _n A 1,04 0,12 1,25 0,50 0,25 0,22 0,22 0,13	
explosion proof	II 2 G Eex m II T4 and II 2 D IP68 T 130°C PTB 03 ATEX 2045 X	
limit switches	inductive NAMUR	circuit amplifier

■ specifications not highlighted are standard
 ■ specifications highlighted in grey are optional

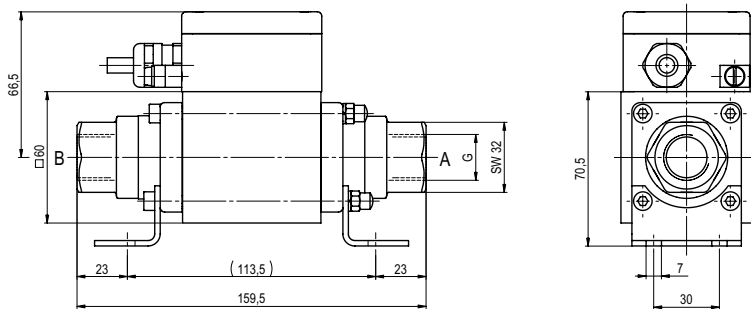
type **MK 10 Ex**

function: **NC**
closed when not energized



type **MK 10 Ex**

function: **NO**
open when not energized



The application-specific layout relating to temperature, pressure conditions, switching behavior, media and its consistency may restrict the range of use or necessitate relevant modifications to materials used and seal arrangements.

Rights reserved to make technical alterations • Not responsible for printing errors • Detailed drawings can be obtained upon request