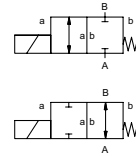


# coaxial valve

## type MK 10



**2/2 way valve** direct acting  
**pressure range** PN 0-40 bar  
**orifice** DN 10 mm  
**connection** thread  
**function** valve normally closed symbol **NC**  
 valve normally open symbol **NO**



**△** Above stated body materials refer to the valve port connections that get in contact with the media only!

**design** pressure balanced, with spring return  
**body materials** ① brass ②  
 ③ brass, nickel plated ⑤  
 ④ ⑥ stainless steel  
**valve seat** synthetic resin on metal  
**seal materials** NBR FPM, CR, EPDM

**details needed**

- orifice
- port
- function NC/NO
- operating pressure
- flow rate
- media
- media temperature
- ambient temperature
- nominal voltage

	general specifications	options
<b>ports</b>	MK threads G 1/4 - G 3/4	special threads
<b>function</b>	NC	NO
<b>pressure range</b>	bar 0-16/0-40	
<b>Kv value</b>	m <sup>3</sup> /h 2,5	
<b>vacuum</b>	leak rate < 10 <sup>-6</sup> mbar·l·s <sup>-1</sup>	
<b>pressure-vacuum</b>	P <sub>1</sub> ⇔ P <sub>2</sub> upon request	
<b>back pressure</b>	P <sub>2</sub> > P <sub>1</sub> available (max. 16 bar)	
<b>media</b>	gaseous - liquid - contaminated	
<b>abrasive media</b>		
<b>damping</b>	opening closing	
<b>flow direction</b>	A ⇔ B as marked	bi-directional (max. 16 bar)
<b>switching cycles</b>	1/min 200	
<b>switching time</b>	ms opening 25 closing 25	
<b>media temperature</b>	°C DC: -10 to +100	-30 to +120
<b>ambient temperature</b>	°C AC: -10 to +100	-30 to +120
	DC: -10 to +80	
	AC: -10 to +80	
<b>limit switches</b>		inductive
<b>manual override</b>		
<b>approvals</b>		LR/GL/WAZ
<b>mounting</b>		mounting brackets
<b>weight</b>	kg MK 1,5	
<b>additional equipment</b>		upon request

**⚠** The valves' technical design is based on media and application requirements. This can lead to deviations from the general specifications shown on the data sheet with regards to the design, sealing materials and characteristics.

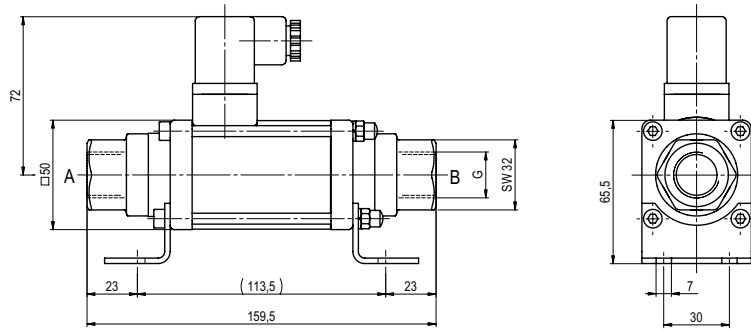
**⚠** If order or application specifications are incomplete or imprecise there exists a risk of an incorrect technical design of the valve for the required application. As a consequence, the physical and / or chemical properties of the materials or seals used, may not be suitable for the intended application.

	electrical specifications	options
<b>nominal voltage</b>	U <sub>n</sub> 24 V DC	special voltage upon request
	U <sub>n</sub> 230 V 40-60 Hz AC	special voltage upon request
<b>actuation</b>	DC direct-current magnet	
	AC direct-current magnet with integrated rectifier	
<b>insulation rating</b>	H 180°C	
<b>protection</b>	IP65	
<b>energized duty rating</b>	ED 100%	
<b>connection</b>	plug acc. DIN EN 175301-803 form A, 4 positions x 90° / wire diameter 6-8 mm	terminal box M16x1,5
<b>optional</b>	M12x1 connector acc. DESINA	connector acc. VDMA
<b>additional equipment</b>	illuminated plug with varistor	
<b>current consumption</b>	N-coil 24 V DC 1,00 A	
	230 V 40-60 Hz AC 0,13 A	
	H-coil 24 V DC 1,29 A	
	230 V 40-60 Hz AC 0,16 A	
<b>explosion proof</b>		
<b>limit switches</b>	inductive (I) normally open-PNP	
	inductive (B) normally open-PNP	

■ specifications not highlighted are standard  
 ■ specifications highlighted in grey are optional

# type MK 10

function: **NC**  
closed when not energized



# type MK 10

function: **NO**  
open when not energized

