

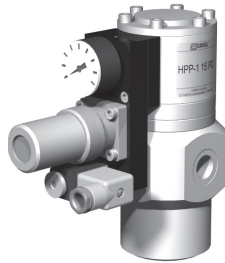
pressure reduction valve

type **HPP-1 15 PC** **HPP-2 15 PC**

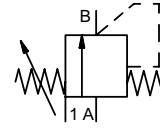
3-HPP-1 15 PC

3-HPP-2 15 PC

valve type with pilot valve



control valve manuel externally controlled
pressure range PN 0-100 bar
orifice DN 15 mm
connection thread/cartridge
function manual stepless pressure regulation



Above stated body materials refer to the valve port connections that get in contact with the media only!

design externally controlled with spring return
body materials ① aluminium ③
 ① brass ④
 ② ⑥ stainless steel
valve seat synthetic resin on metal / metal on metal
seal materials EPDM, PU, HNBR FPM

details needed for main valve

- orifice
- port
- pressure regulating range
- flow rate
- media
- media temperature
- ambient temperature

details needed for pneumatic actuation

- nominal voltage
- type of protection
- actuation pressure range min/max

	ports	HPP-1	with valve body G 1/2 - G 3/4	HPP-2	with valve body G 1/2 - G 3/4	options
function						without valve body
	pressure regulation range	bar	HPP-1 5-40	HPP-2 5-100		without valve body
Kv value						stepless regulation
	media	m ³ /h	max. 6,0			
abrasive media						gaseous - liquid - highly viscous - contaminated
	flow direction	A ⇌ B	as marked			version available
operating time	ms	< 200				
media temperature	°C	0 to +60				
ambient temperature	°C	0 to +50				
approvals						WAZ
mounting						mounting holes
weight	kg	HPP-1 2,7	HPP-2 3,0			HPP-1 3,8 HPP-2 4,1

electrical specifications

	nominal voltage	U _n	24V DC	230 V 50 Hz AC	options
power consumption					special voltage upon request
					special voltage upon request
protection					2,5 W
	energized duty rating	IP 65 (P54)	acc. DIN 40 050		
connection					
additional equipment					
	optional				
coil					
	max. temperature	media	60°C		
explosion proof					

pneumatic specifications

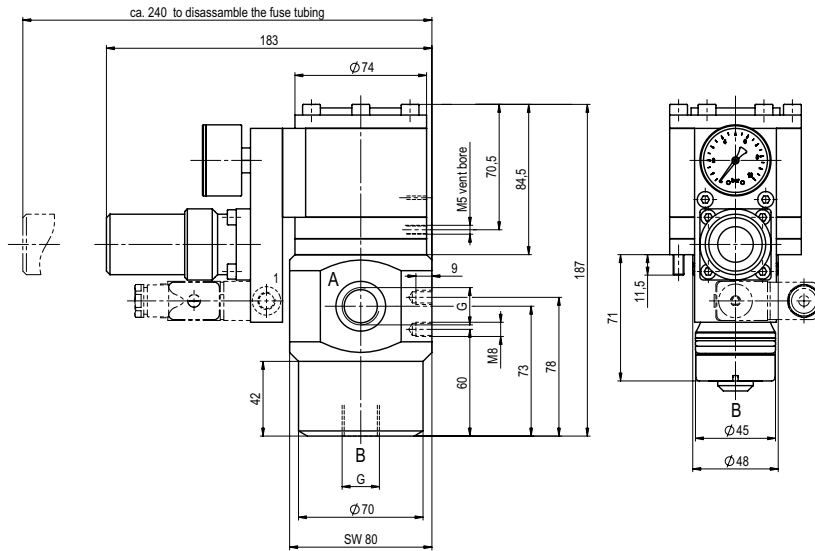
	actuation pressure range	bar	see actuation pressure-diagram	options
air consumption				
	control			
actuator ports				

The valves' technical design is based on media and application requirements. This can lead to deviations from the general specifications shown on the data sheet with regards to the design, sealing materials and characteristics.

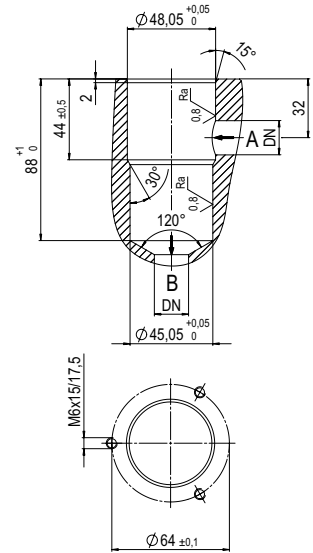
If order or application specifications are incomplete or imprecise there exists a risk of an incorrect technical design of the valve for the required application. As a consequence, the physical and / or chemical properties of the materials or seals used, may not be suitable for the intended application.

■ specifications not highlighted are standard
 ■ specifications highlighted in grey are optional

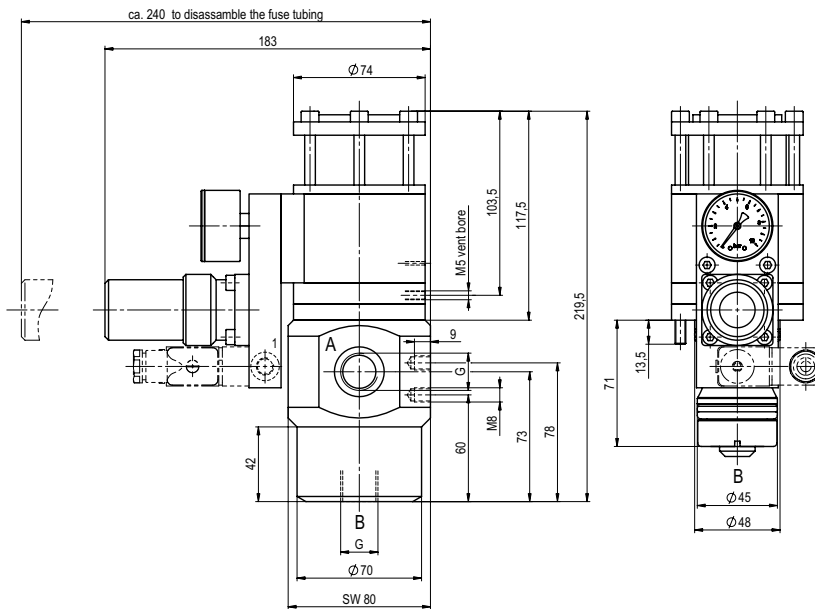
type HPP-1 15 PC



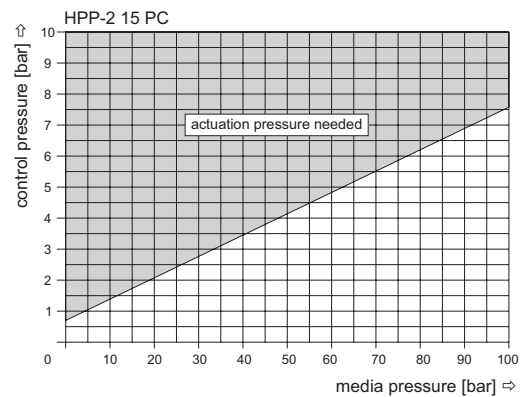
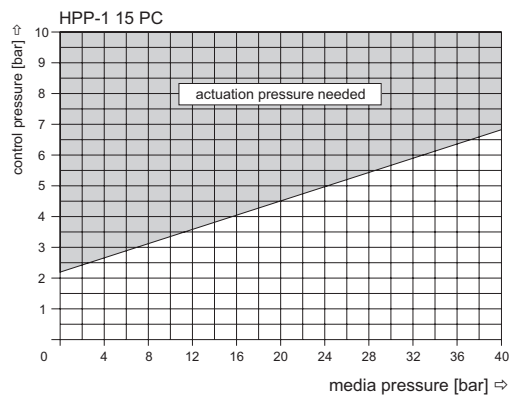
drilling design for cartridge



type HPP-2 15 PC



actuation pressure-diagram



The application-specific layout relating to temperature, pressure conditions, switching behavior, media and its consistency may restrict the range of use or necessitate relevant modifications to materials used and seal arrangements.

Rights reserved to make technical alterations • Not responsible for printing errors • Detailed drawings can be obtained upon request