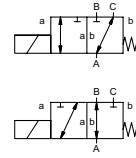


lateral valve type ECD-H 10 DR



3/2 way valve **direct acting**
pressure range PN 0-150 bar
orifice DN 10 mm
connection thread
function valve normally closed (A ► B) symbol **NC**
 valve normally open (A ► B) symbol **NO**



△ Above stated body materials refer to the valve port connections that get in contact with the media only!

design pressure balanced, with spring return, intersecting switch-over
body materials ① brass ②
 ③ ⑤
 ④ ⑥ stainless steel
valve seat synthetic resin on metal
seal materials NBR PTFE, FPM, CR, EPDM

details needed

- orifice
- port
- function NC/NO
- operating pressure
- inlet pressure at A, B or C
- flow rate
- media
- media temperature
- ambient temperature
- nominal voltage

	general specifications	options
ports	ECD-H threads G 3/8	
function	NC	NO
pressure range	bar 0-150	
Kv value	m³/h 1,5	
vacuum	leak rate	< 10 ⁻⁶ mbar·l·s ⁻¹
pressure-vacuum	P ₁ ↔ P ₂	
back pressure	P ₂ > P ₁	
media	gaseous - liquid	
abrasive media		
damping	opening _____ closing _____	
flow direction		
switching cycles	1/min 100	
switching time	ms opening 250 closing 110	
media temperature	°C DC: -20 to +100	-20 to +160
	AC: -20 to +100	-20 to +160
ambient temperature	°C DC: -20 to +60	
	AC: -20 to +60	
limit switches		inductive
manual override		
approvals		
mounting		
weight	kg 6,0	
additional equipment		

⚠ The valves' technical design is based on media and application requirements. This can lead to deviations from the general specifications shown on the data sheet with regards to the design, sealing materials and characteristics.

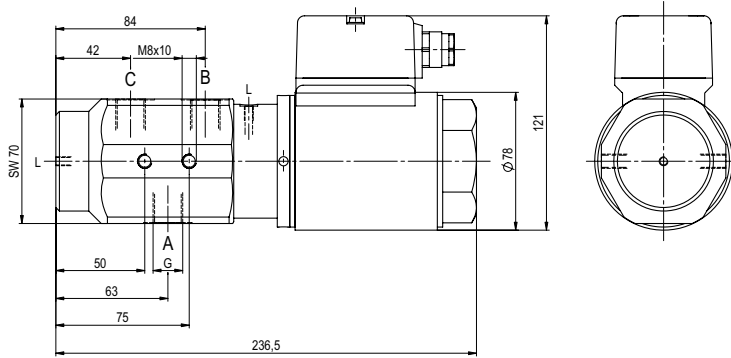
⚠ If order or application specifications are incomplete or imprecise there exists a risk of an incorrect technical design of the valve for the required application. As a consequence, the physical and / or chemical properties of the materials or seals used, may not be suitable for the intended application.

	electrical specifications	options
nominal voltage	U _n 24 V DC	special voltage upon request
	U _n 230 V 40-60 Hz AC	special voltage upon request
actuation	DC direct-current magnet	
	AC direct-current magnet with integrated rectifier	above 100°C with separate rectifier
insulation rating	H 180°C	
protection	IP65	
energized duty rating	ED 100%	
connection	plug acc. DIN EN 175301-803 form A, 4 positions x 90° / wire diameter 6-8 mm	terminal box M16x1,5
optional additional equipment	illuminated plug with varistor	
current consumption	24 V DC 2,64 A	
	230 V 40-60 Hz AC 0,30 A	
explosion proof		
limit switches	inductive (I)	normally open-PNP
	inductive (B)	normally open-PNP

■ specifications not highlighted are standard
 ■ specifications highlighted in grey are optional

type **ECD-H 10 DR**

function: **NC**
closed when not energized (A ► B)



type **ECD-H 10 DR**

function: **NO**
open when not energized (A ► B)

