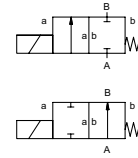


coaxial valve

type A 45



2/2 way valve direct acting
pressure range PN 0-130 bar
orifice DN 2/4/6 mm
connection thread
function valve normally closed symbol **NC**
 valve normally open symbol **NO**



△ Above stated body materials refer to the valve port connections that get in contact with the media only!

design direct acting, with spring return
body materials **Ⓢ** stainless steel

valve seat synthetic resin on metal
seal materials NBR, PTFE **FPM, EPDM**

details needed

- orifice
- port
- function NC/NO
- operating pressure
- flow rate
- media
- media temperature
- ambient temperature
- nominal voltage

general specifications

options

ports	A45	threads G 3/8			
function		NC		NO	
pressure range	bar	10	40	130	10 60 130
	DN	6	4	2	6 4 2
Kv value	l/min	9,8	5,3	1,3	9,8 5,3 1,3
vacuum	leak rate	< 10 ⁻⁶ mbar·l·s ⁻¹			
pressure-vacuum	P ₁ ↔ P ₂	upon request			
back pressure	P ₂ > P ₁	upon request			
media	gaseous - liquid				
abrasive media					
damping	opening				
	closing				
flow direction	A ↔ B	as marked			
switching cycles	1/min	200			
switching time	ms	opening 20 closing 45			
media temperature	°C	DC: -10 to +80		>80°C upon request	
		AC: -10 to +80		>80°C upon request	
ambient temperature	°C	DC: -10 to +80			
		AC: -10 to +80			
limit switches					
manual override					
approvals	WAZ				
mounting	mounting brackets				
weight	kg	1,2			
additional equipment	upon request				

electrical specifications

options

nominal voltage	U _n	24 V	DC	special voltage upon request
	U _n	230 V	40-60 Hz AC	special voltage upon request
actuation	DC	direct-current magnet		
	AC	direct-current magnet with integrated rectifier		
insulation rating	H	180°C		
protection	IP65			
energized duty rating	ED	100%		
connection	plug acc. DIN EN 175301-803 form A, 4 positions x 90° / wire diameter 6-8 mm			
optional	M12x1	connector acc. DESINA connector acc. VDMA		
additional equipment	illuminated plug with varistor			
current consumption		24 V	DC	1,33 A
		230 V	40-60 Hz AC	0,17 A
explosion proof				
limit switches				

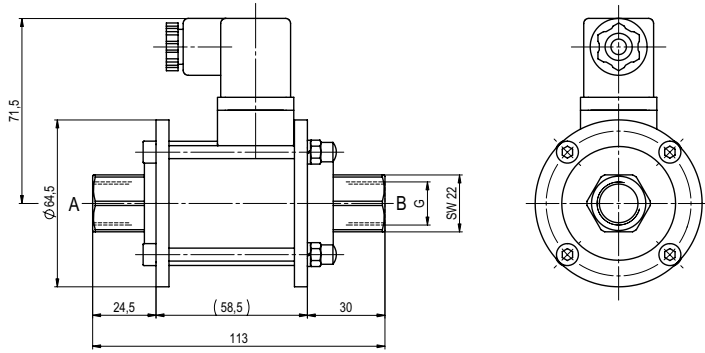
⚠ The valves' technical design is based on media and application requirements. This can lead to deviations from the general specifications shown on the data sheet with regards to the design, sealing materials and characteristics.

⚠ If order or application specifications are incomplete or imprecise there exists a risk of an incorrect technical design of the valve for the required application. As a consequence, the physical and / or chemical properties of the materials or seals used, may not be suitable for the intended application.

■ specifications not highlighted are standard
 ■ specifications highlighted in grey are optional

type A 45

function: **NC**
closed when not energized



type A 45

function: **NO**
open when not energized

